

DH-IPC-HF3500

5Mp CMOS Full HD Network Camera



DH-IPC-HF3500P: 5.0 Megapixel CMOS, 8fps@5M, 20fps@3M and 25fps@1080P, PoE

DH-IPC-HF3500P-W: 5.0 Megapixel CMOS, 8fps@5M, 20fps@3M and 25fps@1080P, PoE, Wi-Fi

DH-IPC-HF3500N: 5.0 Megapixel CMOS, 8fps@5M, 20fps@3M and 30fps@1080P, PoE

DH-IPC-HF3500N-W: 5.0 Megapixel CMOS, 8fps@5M, 20fps@3M and 30fps@1080P, PoE, Wi-Fi

Features

- > 1/2.5" 5.0 Megapixel Aptina CMOS image sensor
- > High-performance TI DaVinci series DSP
- > H.264 video compression and JPEG image capture
- > 8fps@5M(2560×1920), 20fps@3M(2048×1536) and 25/30fps@1080P resolution
- > Dual encoding streams supported
- > Support ICR true Day/Night
- > Support C/CS Auto Iris lens
- > Support Alarm I/O, RS485 and RS232 interface
- > Max 32GB Hot-swappable SD card for local storage
- > Wi-Fi (802.11b/802.11g) (Model -W only)
- > Support DC12V/AC24V dual power supply, PoE
- > Built-in Web server, NVR, CMS(PSS/DSS) & DMSS

DH-IPC-HF3500

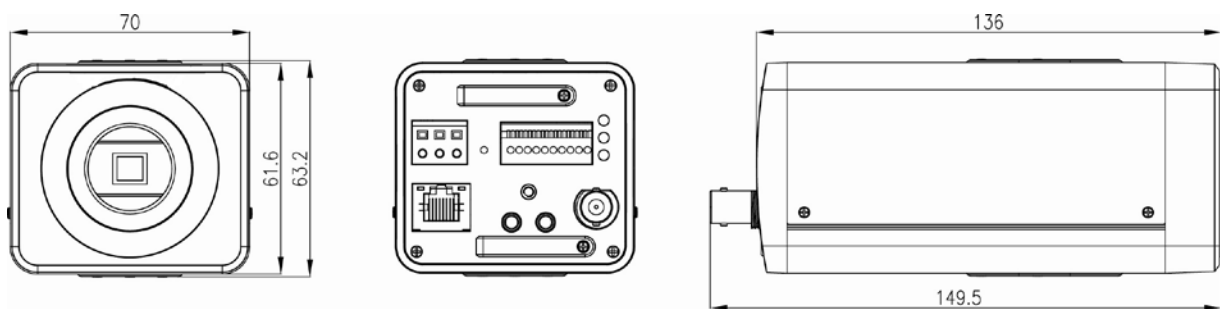
Specifications

Model	IPC-HF3500P	IPC-HF3500P-W	IPC-HF3500N	IPC-HF3500N-W
General				
Processor	TI DaVinci Series DSP			
Operating System	Embedded LINUX			
Resource	Simultaneous remote monitoring, local recording and remote control			
User Interface	WEB, CMS(DSS/ PSS), DMSS, NVR			
Camera				
Image Sensor	1/2.5" 5.0 Megapixel Aptina CMOS image sensor			
Effective Pixels	2592(H)×1944(V)			
Electronic Shutter	Auto/Manual, 1/3~1/10000s		Auto/Manual, 1/4~1/10000s	
Mini. Illumination	0.6LUX/F1.2(Color), 0.08LUX/F1.2(B/W)			
Signal Noise Ratio	>50dB			
Gain Control	Auto/Manual			
White Balance	Auto/Manual			
Day/Night	ICR			
Lens Mount	CS			
Auto Iris	Support			
Video				
Video Compression	H.264/MJPEG			
Image Resolution	5M(2560×1920) / 3M(2048×1536) / 1080P(1920×1080) / 720P(1280×720) / D1(704×576/704×480)			
Encoding Speed	5M(1~8fps) + D1(1~8fps)		5M(1~8fps) + D1(1~8fps)	
	3M(1~20fps) + D1(1~20fps)		3M(1~20fps) + D1(1~20fps)	
	1080P/720P(1~25fps) + D1(1~25fps)		1080P/720P(1~30fps) + D1(1~30fps)	
Bit Rate	160K~8Mbps			
Snapshot	Fastest 1fps JPEG capture			
Video Format	PAL		NTSC	
Analogue Video Output	1 channel BNC(1.0Vp-p, 75Ω)			
Audio				
Audio Compression	G.711a / G.711u / PCM			
Bit Rate	128kbps/64kbps/10.2kbps			
Input	1 channel 3.5mm JACK LINE IN			
Output	1 channel 3.5mm JACK SPEAK OUT			
Network				
Ethernet	RJ-45 (10/100Base-T)			
Wi-Fi	/	802.11b/802.11g	/	802.11b/802.11g
Network Functions	HTTP,TCP/IP,ARP,IGMP,ICMP,RTSP,RTP,UDP,RTCP,SMTP,FTP,DHCP,DNS,DDNS,PPPOE,UPNP,NTP,Bonjour,SNMP			

DH-IPC-HF3500

Remote Operation	Monitor, PTZ control, Playback, System setting, File download, Log information, Maintenance & Upgrade
Auxiliary Interface	
SD Card	Max 32GB, local storage
RS232	PC communication
RS485	PTZ control
Alarm	1 Input / 1 Output
Environmental	
Power Supply	DC12V/AC24V, PoE
Power Consumption	<6W
Operating Environment	-10°C~+60°C, 10%~90%
Dimension	70mm×63.2mm×149.5mm
Weight	650g

Dimensions (mm)



Dahua Technology Co., Ltd.

1187 BinAn Road, Binjiang District, Hangzhou, China

Tel: +86-571-87688883

Fax: +86-571-87688815

Email: overseas@dahuatech.com

www.dahuatech.com

*Design and specifications are subject to change without notice.

© 2012 Dahua Technology Co., Ltd.