

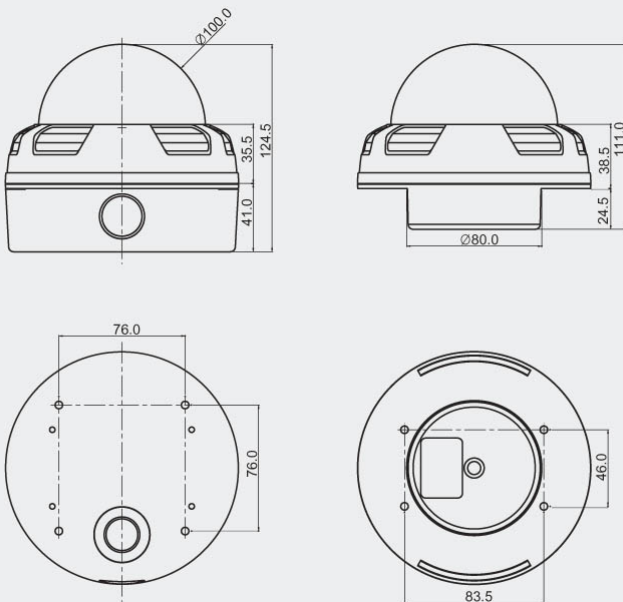


Features

- 1/3" Sony Super HAD CCD II
- Ultra High Resolution : 600 TV Lines
- Built in DC Iris Vari-focal Lens (f=4~9mm)
- Min. Illumination : 0.1 Lux
- OSD, Auto White Balance
- AGC, SBLC, Flickerless
- Motion Detection, Privacy Zone, Mirror Function
- Extra Video Out Port for Installer
- 3 Axis Movement for Free Lens Rotation
- Dome Size : 100mm
- Option : RS-485(Pelco-D, CNB) Interface
- Vandal-Resistant Dome Housing
- Dual (Surface/Flush) Mount



DIMENSIONS



SPECIFICATIONS

Model	VCM-20VD	VCM-21VD
Signal System	NTSC	PAL
Scanning System	2:1 Interlace	
Scanning Frequency (H)	15.734 KHz	15.625 KHz
Scanning Frequency (V)	59.94 Hz	50 Hz
Image Sensor	1/3 Inch SONY Super HAD CCD II	
Total Pixels	811(H) x 508(V) 410K	795(H) x 596(V) 470K
Total / Effective Pixels	768(H) x 494(V) 380K	752(H) x 582(V) 440K
Horizontal Resolution	600 TV Lines (BW 650TV Lines)	
Video Output	1.0V p-p (75Ω, Composite)	
S/N Ratio	More than 50dB(AGC Off)	
Lens	DC Iris Vari-focal Lens (f=4~9mm)	
Min.Illumination	0.1 Lux	
OSD	English, Chinese	
Digital Noise Reduction	Low, Middle, High, Off	
White Balance	Auto	
AGC	On/Off	
SBLC	Off, Low, Middle, High	
Flickerless	On/Off	
Privacy Zone	On/Off (4 Programmable Zone)	
Motion Detection	On/Off (4 Programmable Zone)	
Mirror Function	Horizontal	
Shutter Speed	1/60~1/120,000 Sec.	1/50~1/120,000sec.
Manual Shutter Speed	1/60, 1/250, 1/700, 1/1K, 1/1.6K, 1/2.5K, 1/5K, 1/7K, 1/10K, 1/30K, 1/60K, 1/120K	
Supplied Voltage	DC 12V (10V~15V)	
Power Consumption	Max. 2.2W/180mA	
Dimensions (ØxH)	Surface : 100.0 x 124.5 mm Flush : 100.0 x 111.0 mm	
Weight	Approx. 1210g	