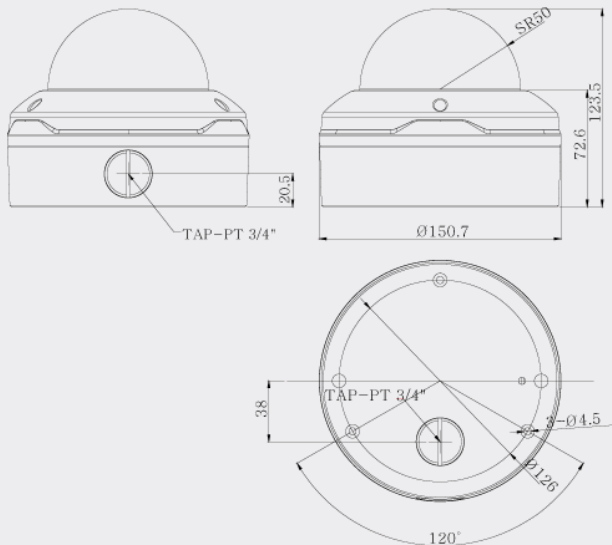




### Features

- 1/4 inch High Sensitivity CCD
- High Resolution : 500 TV Lines
- Built-in Auto Iris / Auto Focus
- 10x Optical / 10x Digital Zoom (Max. 100x)
- TDN(ICR), SDNR
- Min. Illumination : 0.06 Lux (DSS On, B/W)
- OSD, AWB, AGC, BLC
- Privacy Zone, Motion Detection
- Digital Slow Shutter (2x~128x Field)
- Extra Video Out Port for Easy Installation
- 3-Axis Movement for Free Lens Rotation
- RS-485(Pelco-D) Interface
- Vandal-Resistant Dome Housing
- 24VAC/12VDC Dual Voltage

### DIMENSIONS



### SPECIFICATIONS

Model	VBT-24Z10F	VBT-25Z10F
Signal System	NTSC	PAL
Scanning System	2:1 Interlace	
Scanning Frequency (H)	15.734 KHz	15.625 KHz
Scanning Frequency (V)	59.94 Hz	50 Hz
Image Sensor	1/4 Inch High Sensitivity CCD	
Total Pixels	811(H) x 508(V) 410K	795(H) x 596(V) 470K
Total / Effective Pixels	768(H) x 494(V) 380K	752(H) x 582(V) 440K
Horizontal Resolution	500 TV Lines (BW 570TV Lines)	
Video Output Level	1.0V p-p (75Ω, Composite)	
S/N Ratio	More than 50dB(AGC Off, BW Mode)	
Lens	10x Zoom Video AF (f=3.5~35mm)	
Digital Zoom	10x	
Day&Night Type	Electronic Sensitivity-up (DSS), ICR(AGC type)	
Digital Slow Shutter	Off/2x~128x Field	
Min.Illumination	0.7 Lux (Color) / 0.06 Lux (DSS On, B/W)	
SDNR	Off / Low / Middle / High	
OSD	KOR/ESP/FRA/ITL/DEU/ENG/JAN/CHI	
White Balance	ATW / AWC / Manual	
AGC	Off / Normal / High / Manual	
BLC	On/Off	
Flickerless	On/Off	
Privacy Zone	On/Off (4 Programmable Zone)	
Motion Detection	On/Off (4 Programmable Zone)	
Mirror	Horizontal	
Communication	RS-485 (Pelco-D)	
Electronic Shutter Speed	1/60~1/120,000 Sec.	1/50~1/120,000sec.
Supplied Voltage	24VAC or 12VDC Dual Voltage	
Power Consumption	Max. 6.0W	
Dimensions(ØxH)	151 x 124 mm	
Weight	Approx. 1.5kg	