



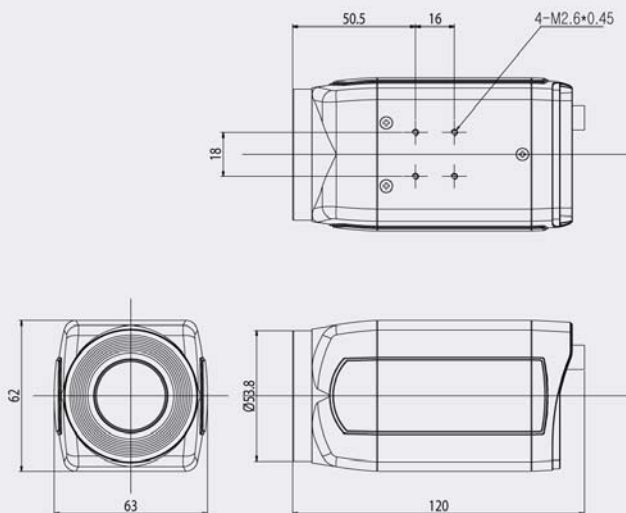
### Features

- 1/4 inch IT CCD
- High Resolution : 580 TV Lines
- Built-in Auto Iris / Auto Focus
- **27x Optical Power Zoom Lens**
- 10x Digital Zoom (Max. 270x)
- TDN(ICR), Digital Slow Shutter (DSS)
- 3D-DNR, OSD
- Privacy Zone, Motion Detection, D-Effect
- Video Transmission Distance Adjustable(3 Steps)
- RS-485 Interface (Pelco-D)/PTZ Controller Interface
- 12VDC

### Rear View



### DIMENSIONS



### SPECIFICATIONS

| Model                       | ZBN-20Z27F  | ZBM-21Z27F           |
|-----------------------------|---|----------------------|
| Signal System               | NTSC  | PAL                  |
| Scanning Frequency (H)/ (V) | 15.734 KHz / 59.94 Hz   | 15.625 KHz / 50 Hz   |
| Scanning System             | 2:1 Interlace   |                      |
| Image Sensor                | 1/4 Inch IT CCD   |                      |
| Total Pixels                | 811(H) x 508(V) 410K  | 795(H) x 596(V) 470K |
| Effective Pixels            | 768(H) x 494(V) 380K  | 752(H) x 582(V) 440K |
| Sync. System                | Internal / External (Line Lock) : Auto Detect   |                      |
| Horizontal Resolution       | 580 TV Lines (BW 600 TV Lines)  |                      |
| Signal Output               | 1.0Vp-p (75Ω, Composite)  |                      |
| S/N Ratio                   | More than 50dB (AGC Off)  |                      |
| Lens                        | 27x Zoom Video AF (f=3.6~97.2mm, F1.6(W)-F3.7(T))   |                      |
| Digital Zoom Ratio          | 10x Digital Zoom  |                      |
| Focus Mode                  | Auto/Manual   |                      |
| Day & Night Type            | Electronic Sensitivity-up (DSS), ICR(AGC type)  |                      |
| Digital Slow Shutter        | Off/2FLD~128FLD Mode  |                      |
| 3D-DNR                      | Low/Middle/High   |                      |
| Min. Illumination           | Day Mode: 0.5Lux (30 IRE) / Night Mode: 0.1Lux (30 IRE) / DSS (128FLD) Mode: 0.0005Lux (30 IRE) |                      |
| White Balance               | Auto  |                      |
| AGC                         | On/Off  |                      |
| SBLC                        | Zone Selectable   |                      |
| OSD                         | English, Chinese  |                      |
| D-Effect                    | Mirror / V-flip / Rotate  |                      |
| Mirror Function             | Horizontal  |                      |
| Privacy Zone                | On/Off (4 Programmable Zone)  |                      |
| Motion Detection            | On/Off (4 Zone)   |                      |
| Electronic Shutter Speed    | 1/60 ~ 1/10,000 sec   | 1/50 ~ 1/10,000 sec  |
| Camera Control              | Rear Button, RS485 (Pelco-D/P)  |                      |
| Supplied Voltage            | DC 12V (±10%), Max. 4.8W/400mA  |                      |
| Dimensions                  | 63 x 62 x 120 mm  |                      |
| Weight                      | Approx. 325g  |                      |