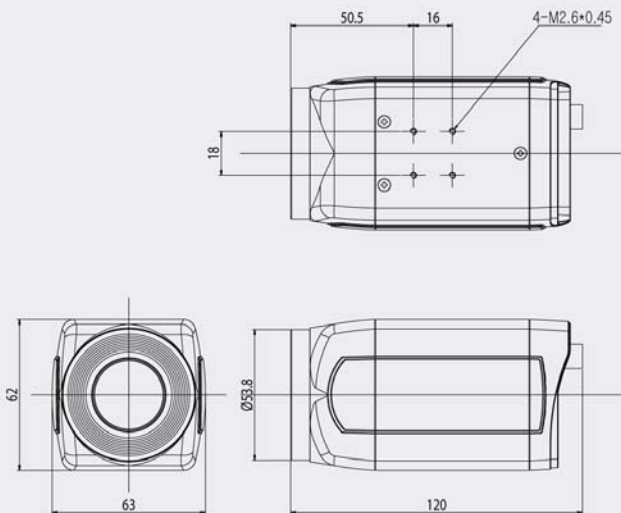




## Features

- 1/4 inch IT CCD
- High Resolution : 580 TV Lines
- Built-in Auto Iris / Auto Focus
- **18x Optical Power Zoom Lens**
- 10x Digital Zoom (Max. 180x)
- Digital Slow Shutter (DSS), Digital D&N
- 3D-DNR, OSD
- Privacy Zone, Motion Detection, D-Effect
- Video Transmission Distance Adjustable(3 Steps)
- RS-485 Interface (Pelco-D)/PTZ Controller Interface
- 12VDC

## DIMENSIONS



## SPECIFICATIONS

Model	ZBN-20Z18	ZBM-21Z18
Signal System	NTSC	PAL
Scanning Frequency (H)/(V)	15.734 KHz / 59.94 Hz	15.625 KHz / 50 Hz
Scanning System	2:1 Interlace	
Image Sensor	1/4 Inch IT CCD	
Total Pixels	811(H) x 508(V) 410K	795(H) x 596(V) 470K
Effective Pixels	768(H) x 494(V) 380K	752(H) x 582(V) 440K
Sync. System	Internal / External (Line Lock) : Auto Detect	
Horizontal Resolution	580 TV Lines (BW 600 TV Lines)	
Signal Output	1.0Vp-p (75Ω, Composite)	
S/N Ratio	More than 50dB (AGC Off)	
Lens	18x Zoom Video AF (f=3.6~64.8mm, F1.6(W)-F3.7(T))	
Digital Zoom Ratio	10x Digital Zoom	
Focus Mode	Auto/Manual	
Day & Night Type	Electronic Sensitivity-up (DSS), Digital Day & Night	
Digital Slow Shutter	Off/2FLD~128FLD Mode	
3D-DNR	Low/Middle/High	
Min. Illumination	Day Mode: 0.5Lux (30 IRE) / Night Mode: 0.1Lux (30 IRE) / DSS (128FLD) Mode: 0.0005Lux (30 IRE)	
White Balance	Auto	
AGC	On/Off	
SBLC	Zone Selectable	
OSD	English, Chinese	
D-Effect	Mirror / V-flip / Rotate	
Mirror Function	Horizontal	
Privacy Zone	On/Off (4 Programmable Zone)	
Motion Detection	On/Off (4 Zone)	
Electronic Shutter Speed	1/60 ~ 1/10,000 sec	1/50 ~ 1/10,000 sec
Camera Control	Rear Button, RS485 (Pelco-D/P)	
Supplied Voltage	DC 12V (±10%), Max. 4.8W/400mA	
Dimensions	63 x 62 x 120 mm	
Weight	Approx. 325g	